

U44200

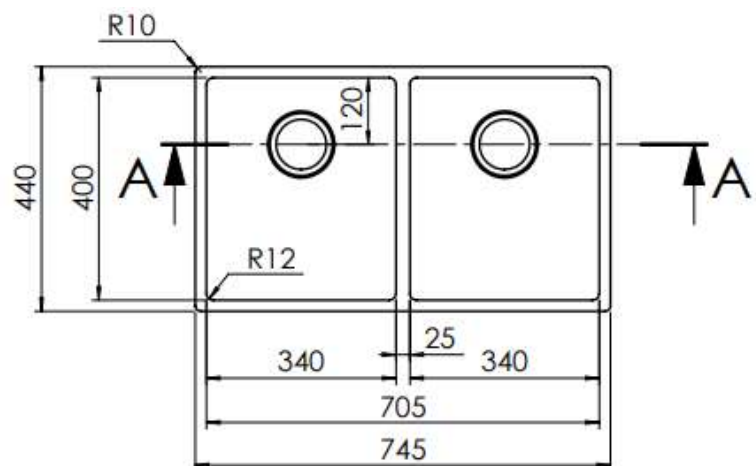
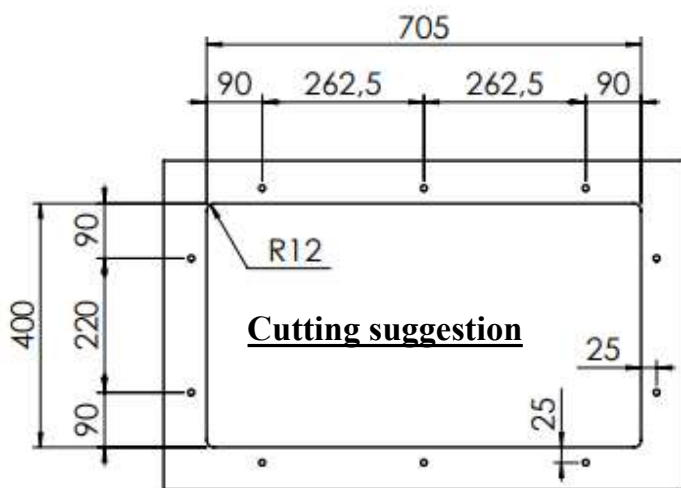
**BOLD 34-34**

Undermount installation

Dimensions: 745 x 440 mm

Bowls: 340x400x200 mm +
340x400x200 mm

Base unit: 80 cm

**Precautions to be taken into account for its conservation:**

• Cleaning products indicated for the Stainless Steel are: the soap, detergents soft and / or neutral. Apply with a soft cloth or a sponge of fine nylon, rinse with abundant water and dry with soft cloth.

Never use abrasive acids because they deteriorate the surface of the sink.

- Do not use wipes metal, straw-of-steel to clear the surface of the sinks;
- Glues, paints and cement, in contact with the sinks, will cause the corrosion of steel.

ATTENTION: beware of sharp metal edges before and during the installation!

• EN13310:2015



INAREL assigns a 15-year warranty to all stainless steel solutions, when good basic cleaning and maintenance practices are adopted.

INAREL

Inarel, Indústria de Lava-Louças Inox e Artesanato, SA